

## DESIGN PRECEDENT

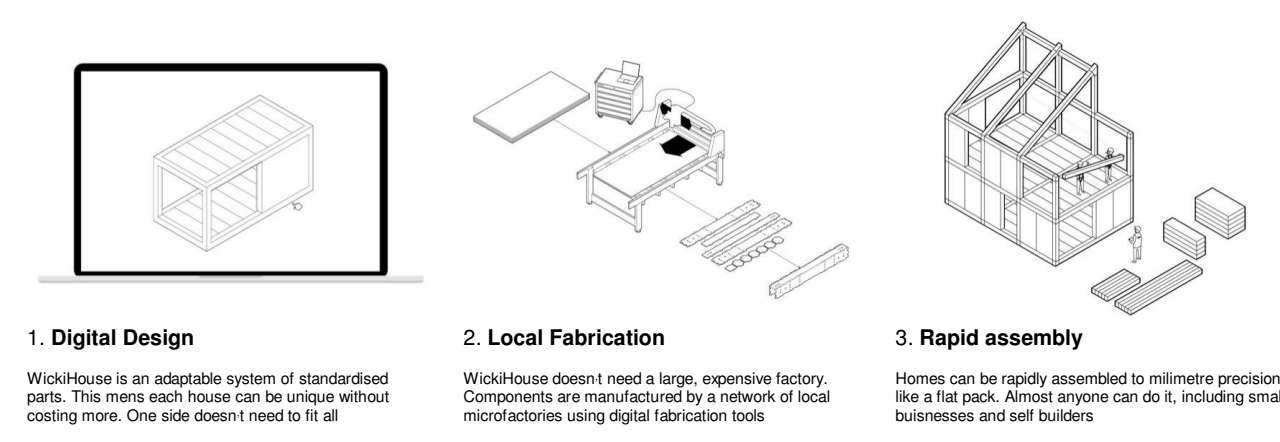
+



Unterforf Elementary School, Austria - Dietrich Untertrifaller

## SELF BUILD SYSTEM

+



**1. Digital Design**  
WickiHouse is an adaptable system of standardised parts. This means each house can be unique without costing more. One side doesn't need to fit all.

**2. Local Fabrication**  
WickiHouse doesn't need a large, expensive factory. Components are manufactured by a network of local manufacturers using digital fabrication tools.

**3. Rapid assembly**  
Homes can be rapidly assembled to millimetre precision, like a flat pack. Almost anyone can do it, including small businesses and self-builders.

### WickiHouse Mission

To put the tools & knowledge to design, manufacture and assemble beautiful, low-cost, low carbon buildings into the hands of every citizen, community and business

## PASSIVHOUS

+

= Super Low Energy + Super Comfort  
Note if Building is "temporary" then Passivhaus Low Energy Standard can be used which sets a heat demand of 30 kWh/m<sup>2</sup>.a, airtightness 1.0 & PER Demand 75 kWh/m<sup>2</sup>.a +/- 15

## SELF BUILD HELP

+

Consider technical assistance, self build enthusiasm will not be sufficient to deliver a high quality building  
Nick Knowles + Team or similar should be invited/consulted

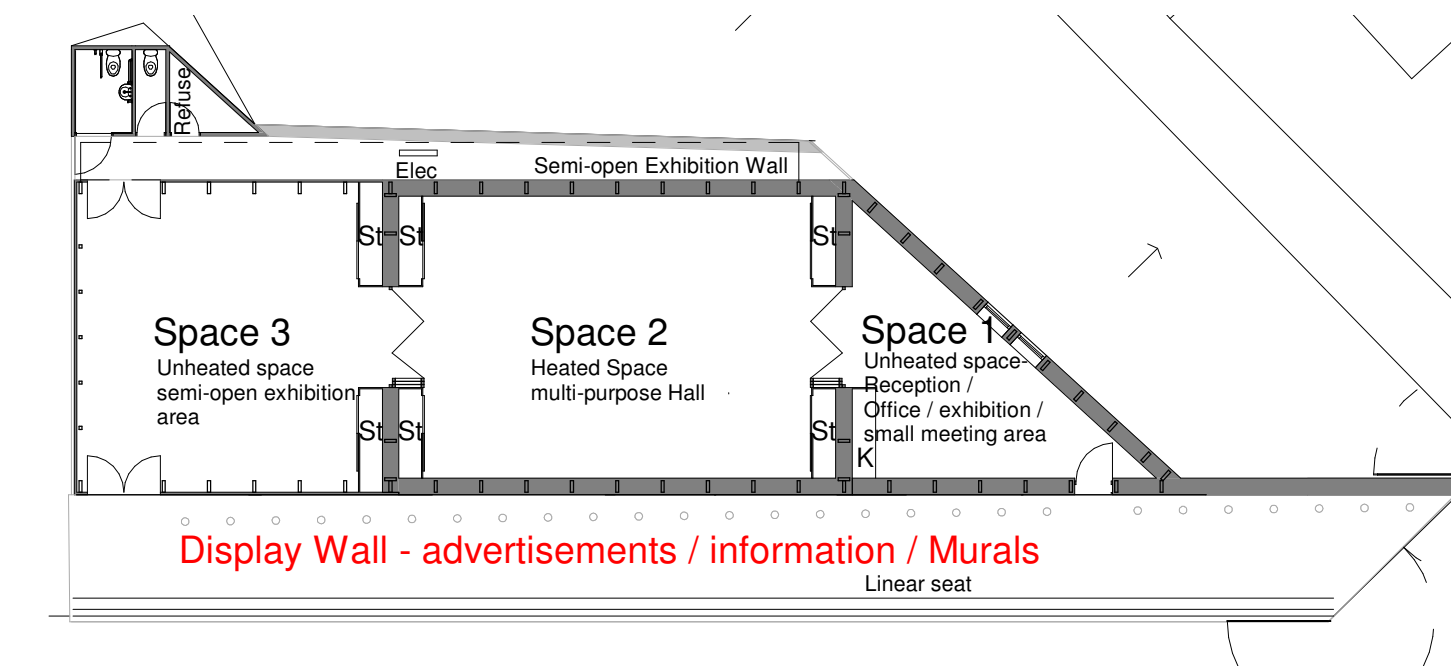
## ZERO CARBON

It is now imperative that Zero Carbon (Low Energy and Embodied Energy) are included at the heart of the proposed design



Perspective View

Scale



Ground Floor Plan

Scale 1 : 200