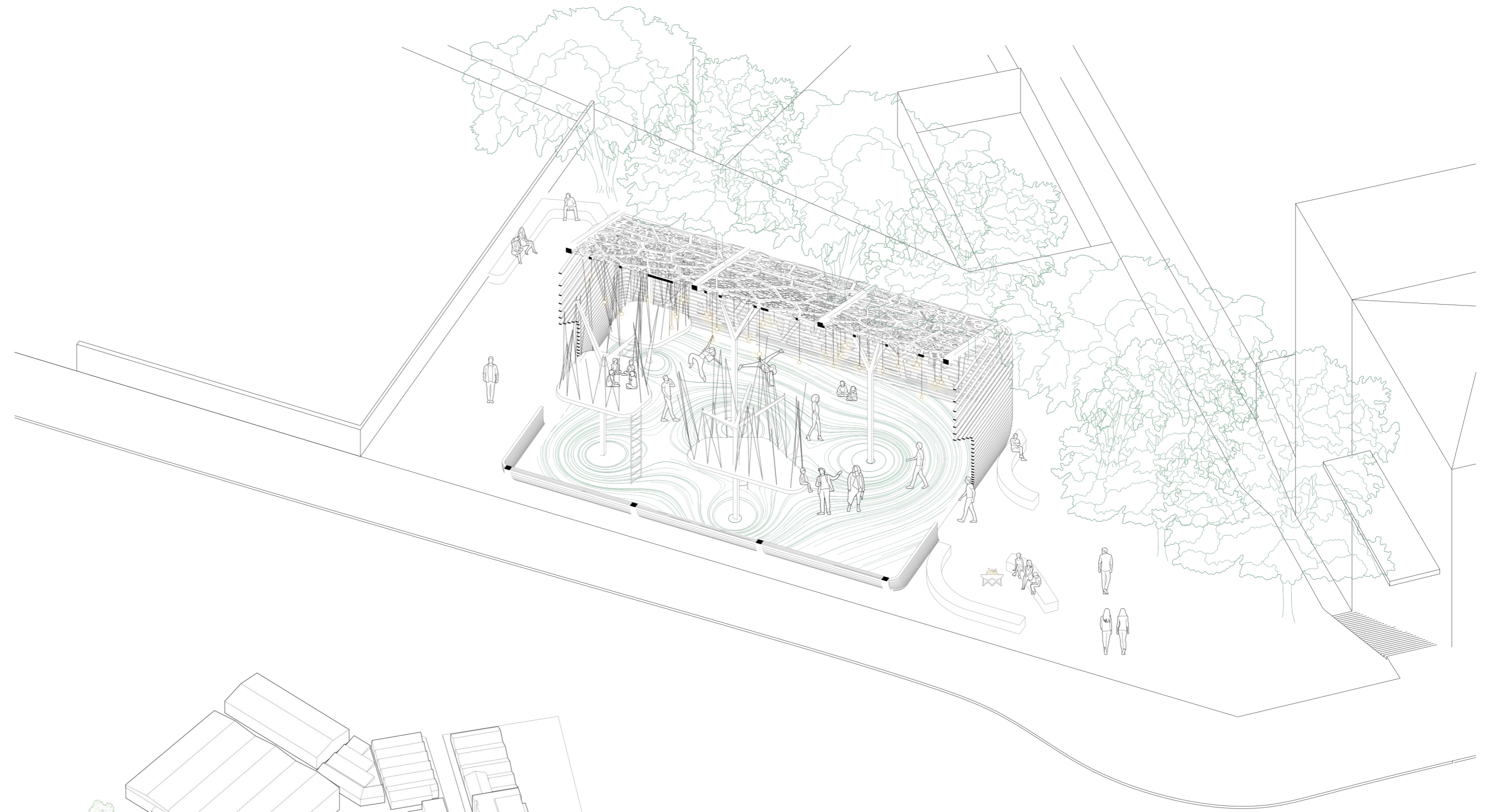
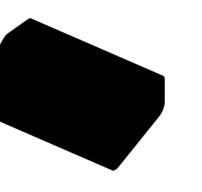
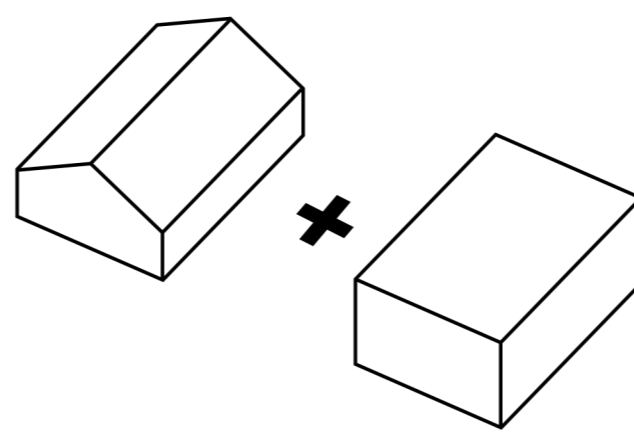
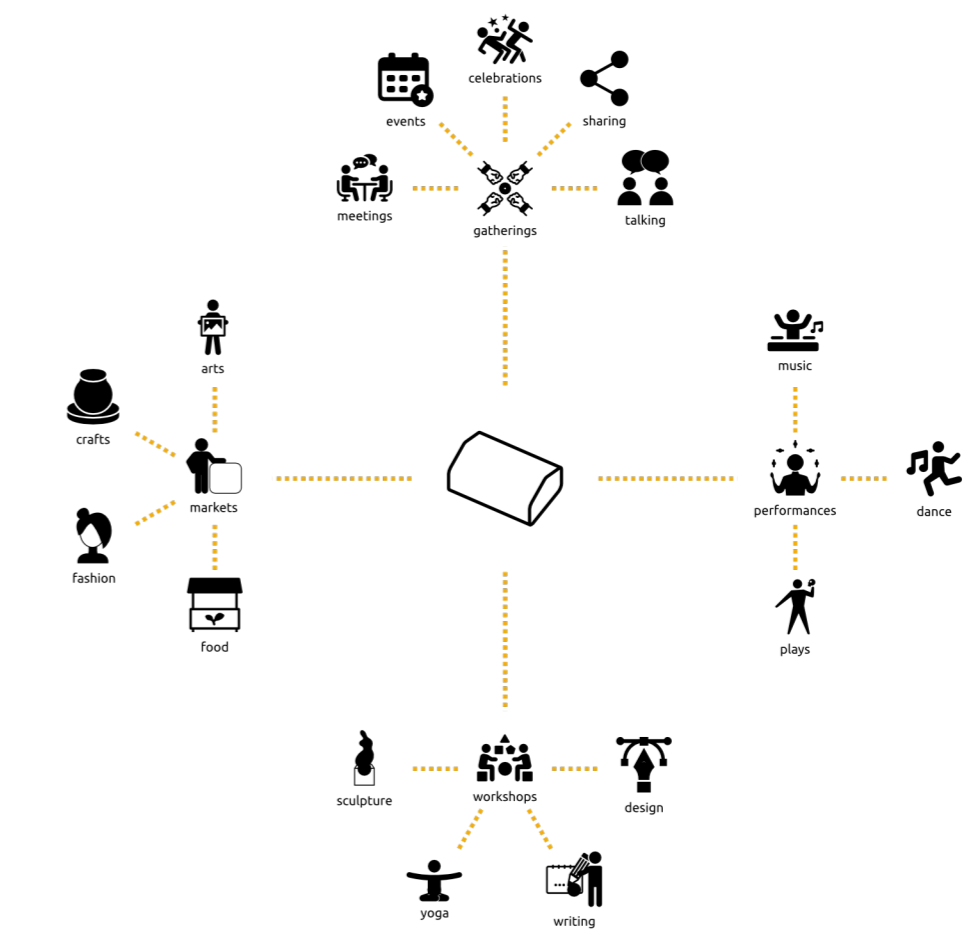


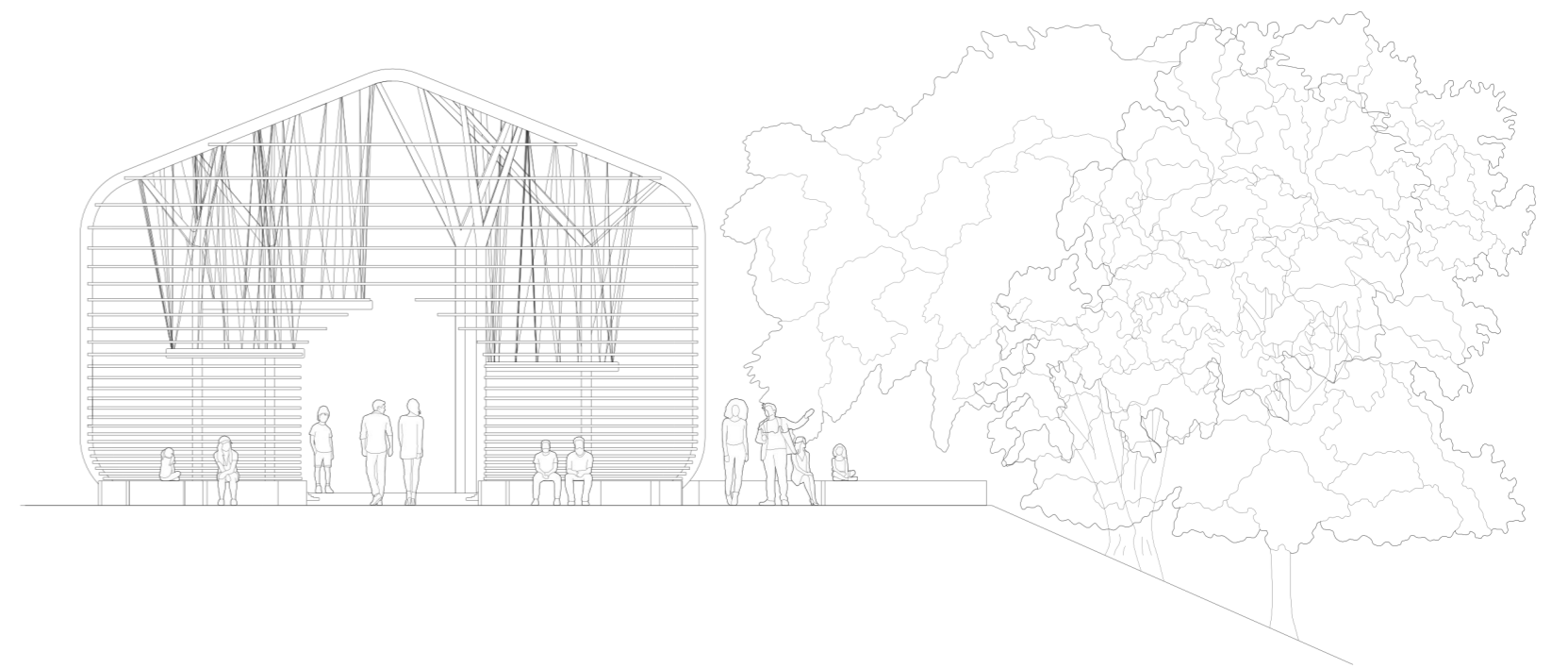
SPIRIT OF THE PLACE IN TOTTENHAM PAVILION



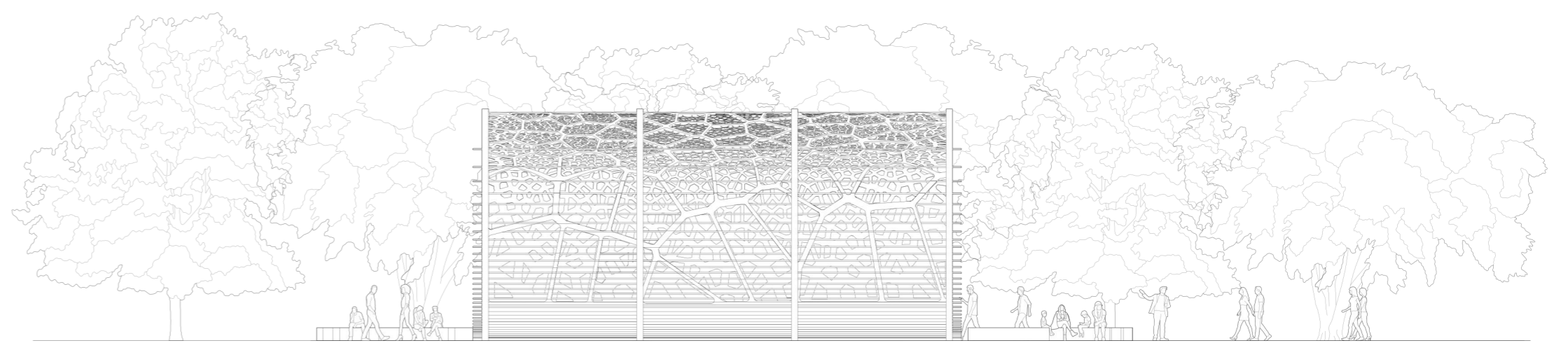
Program



Architectural identity of the project site



East facade

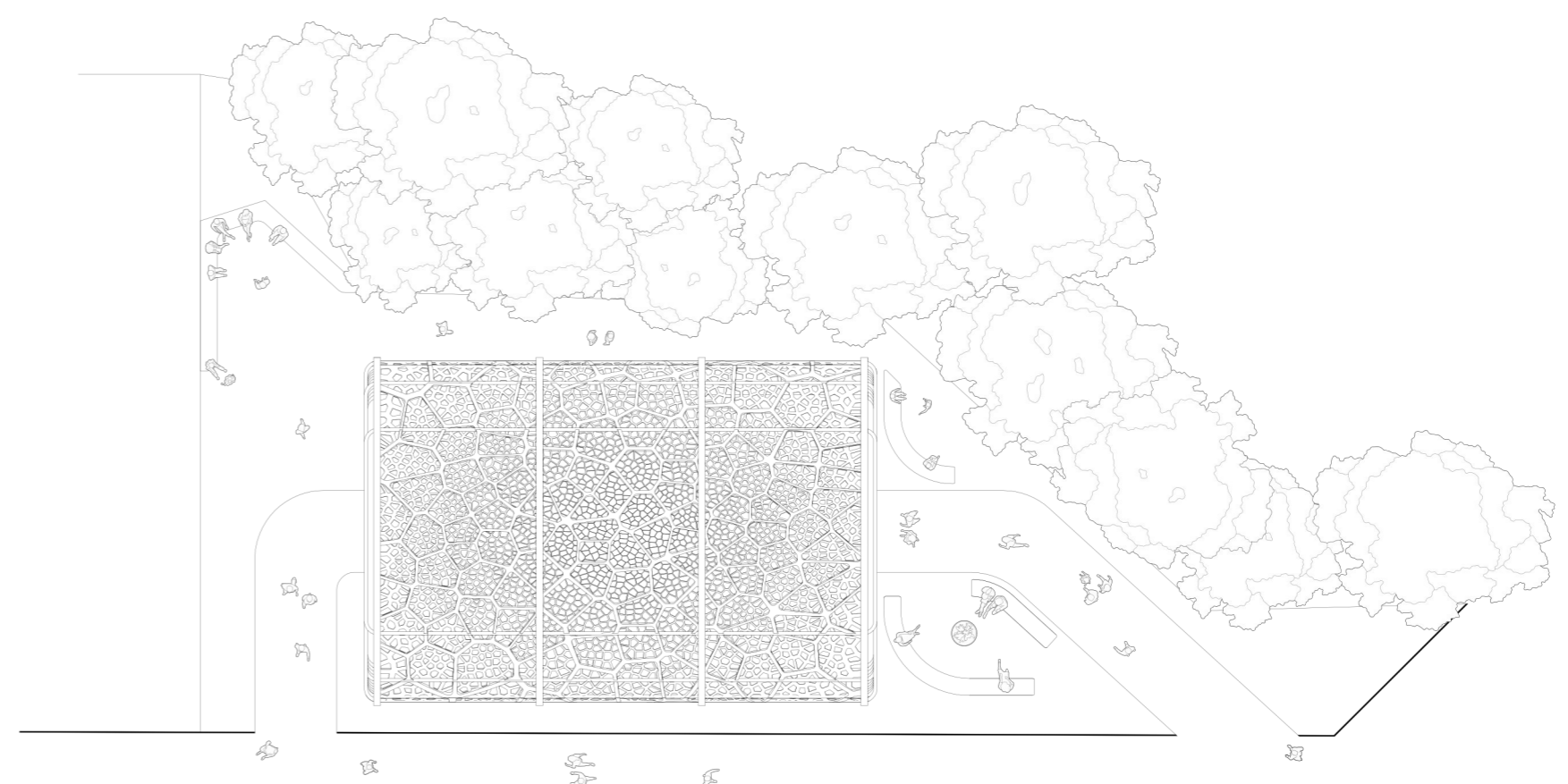


South facade

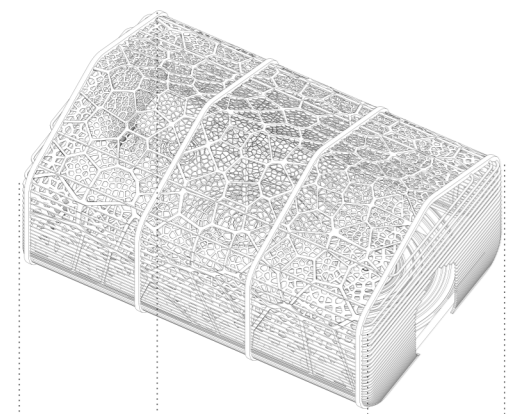
Pavilion site formation

Inspiration by Piet Modriaan's art work

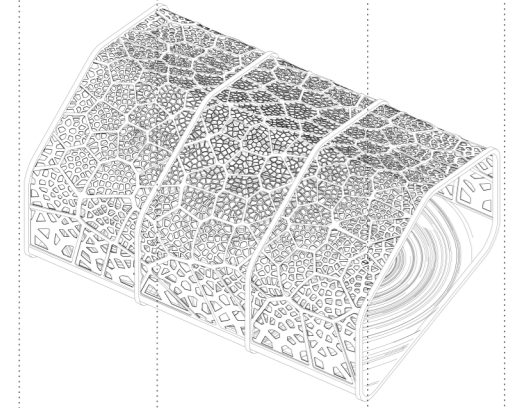
Project site



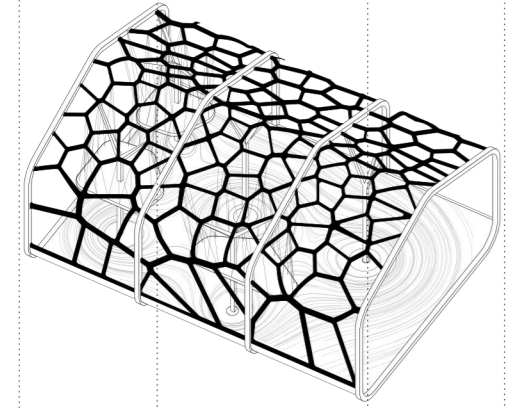
Top view



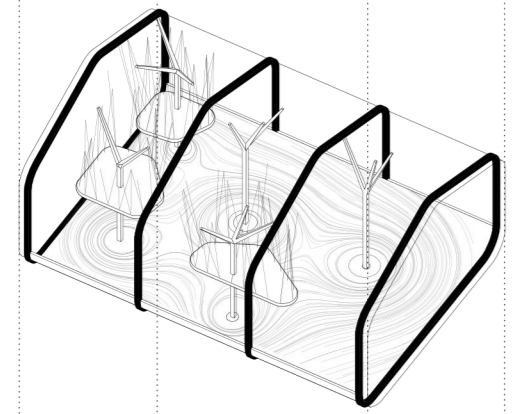
Horizontal frames
Final formation of the pavilion



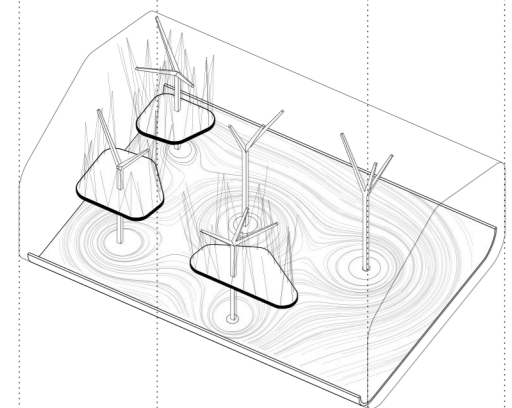
Shell pattern based on Voronoi pattern inspired by small tree branches and foliage



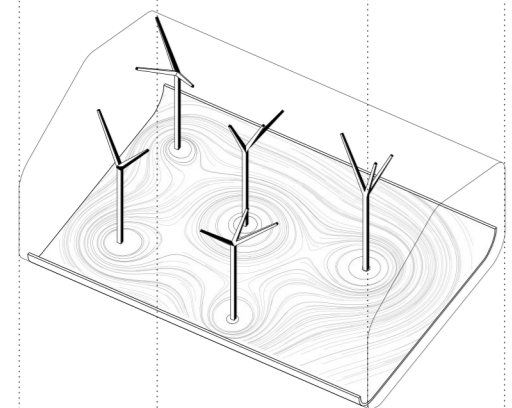
Second layer of frames inspired by tree branches based on Voronoi pattern



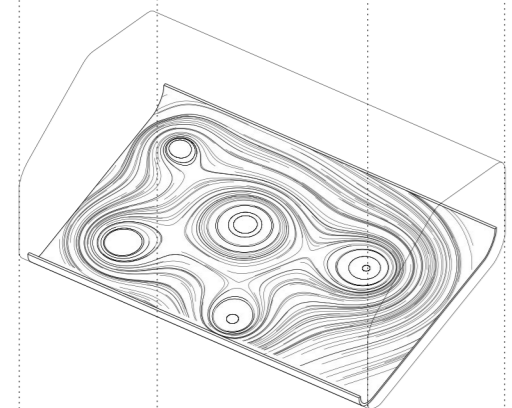
Main constructive frames



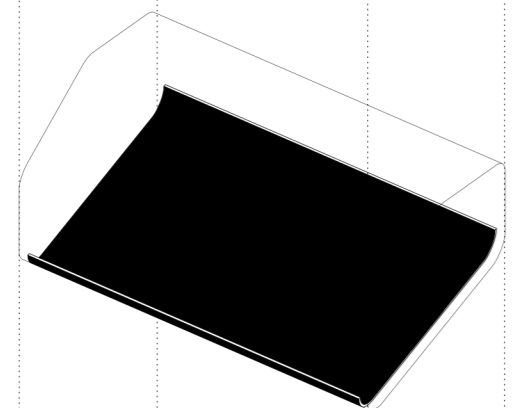
"Tree houses" idea
Hanging platforms



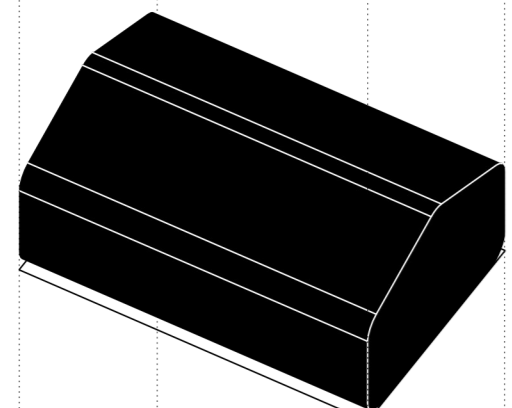
"Trees" columns



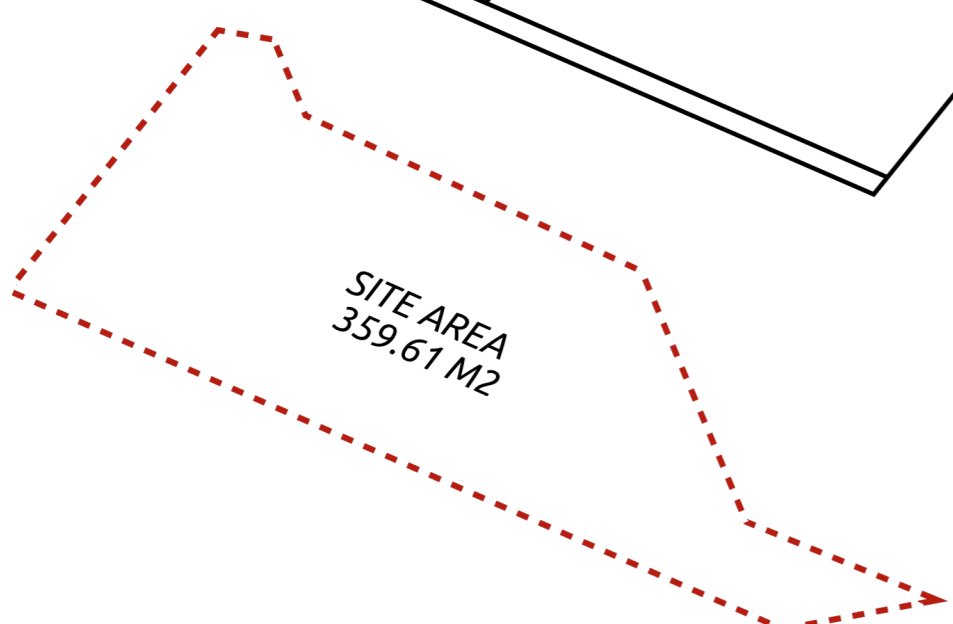
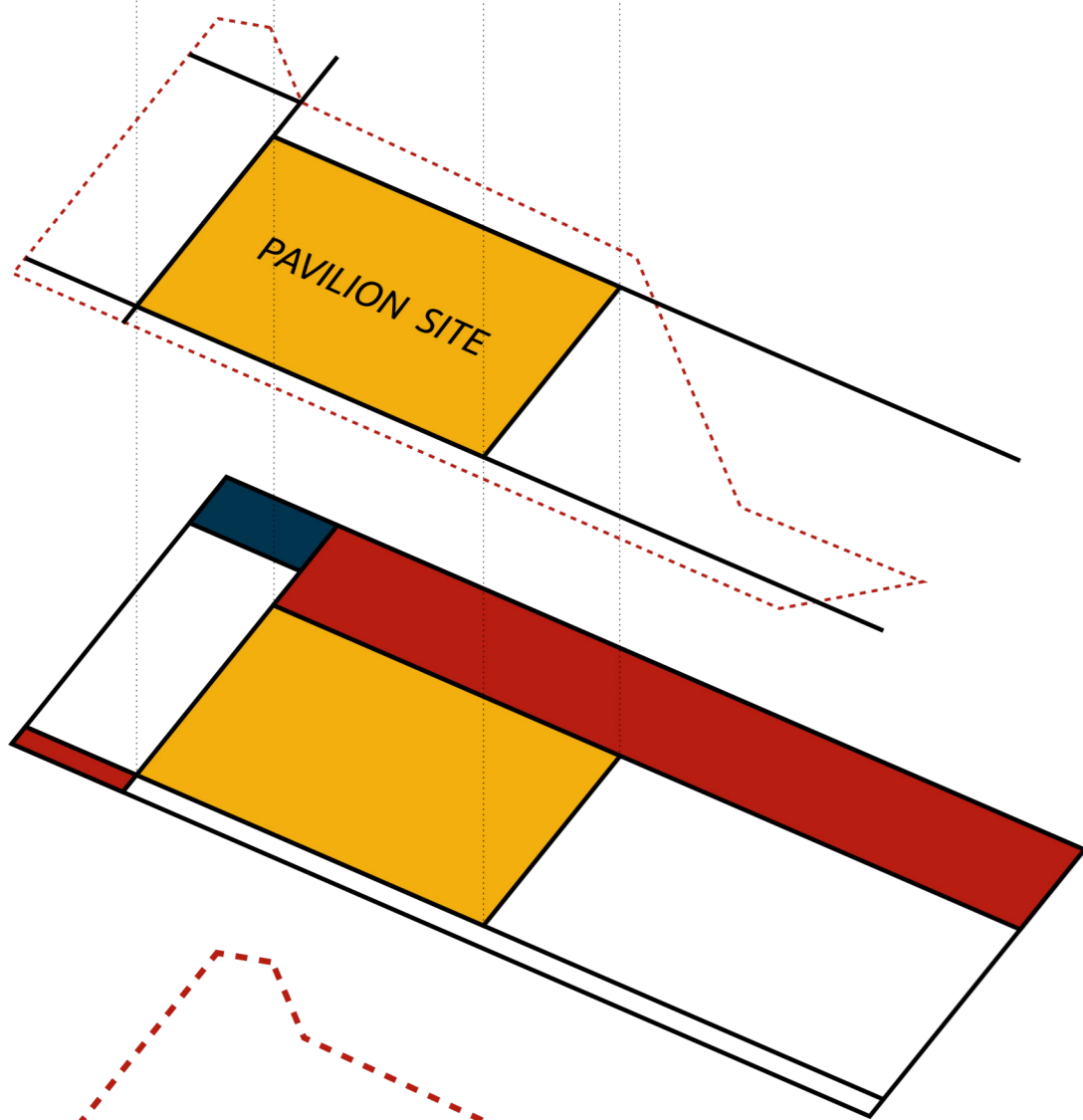
Floor pattern inspired by natural tree section



Floor formation



Pavilion shape inspired by architectural environment of the site



SITE AREA
359.61 M2